

# BP2861XJ

## Non-isolated Buck Offline LED Driver

### Description

BP2861XJ is a high precision Buck converter constant current driver. It operates in critical conduction mode and is suitable for 85Vac~265Vac universal input offline LED lighting.

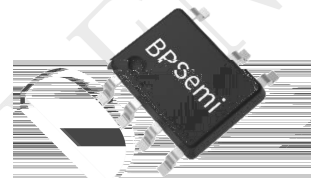
The BP2861XJ integrates a 500V power MOSFET, with gate driving technique. It doesn't need VCC capacitor and startup resistor. It excellently can achieve constant current performance with uniformity and low ripple, so the system cost and size are greatly reduced.

BP2861XJ operates in critical conduction mode, it can achieve precise output current and excellent line regulation. The driver output current does not change with the inductance and output voltage.

The BP2861XJ offers protections to improve the system reliability, including LED short circuit protection, and thermal regulation function.

### Features

- The same pinning as BP2866XJ
- Integrated 600V Superfast Recovery Diode
- No VCC Compensation Resistor
- Integrated HV MOSFET for IC Power Supply
- Configurable OVP Protection
- Able to drive several LEDs in parallel
- Enable function is compatible with switch color and sensor light
- $\pm 5\%$  LED Output Current Accuracy
- LED Short Protection
- Thermal Regulation Function
- Available in SOP7 package



### Applications

- LED Bulb
- LED Tube
- Outdoor Lighting

### Typical Application

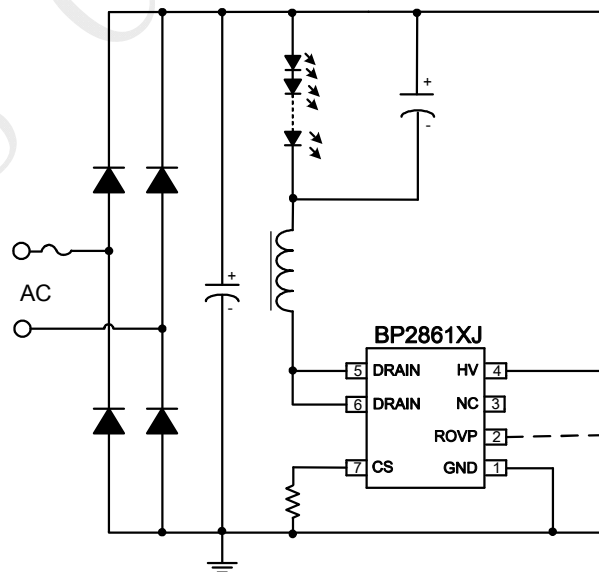
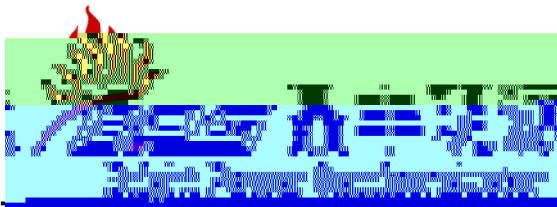


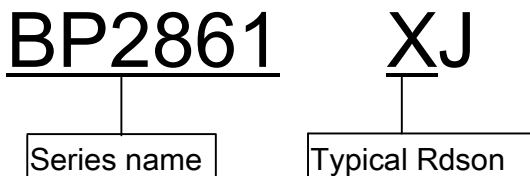
Figure 1. Typical application circuit for BP2861XJ



# BP2861XJ

## Non-isolated Buck Offline LED Driver

### Naming rules



### Marking Information

Part Number	Package	Packing Method	Marking
BP2861XJ	SOP7	Tape 4000Pcs/Reel	BP2861 XXXXXX XXXXXX

### Pin Configuration Information

